



Impakt Defender

Vehicle Security Barrier

Product Benefits

- A physical and visual security deterrent
- Excellent protection from vehicle borne attacks
- Unique design deforms to increase stopping performance
- Over 65% lighter than concrete solutions
- Modular design allows protection of entrances and perimeters
- Easy to install, remove and relocate
- Suitable for all types of sites



The Impakt Defender is an IWA14 rated vehicle security barrier (VSB) designed to protect people, buildings and infrastructure from hostile vehicle attack. Requiring no foundations, the surface mounted system can be rapidly deployed as a temporary or permanent security measure, as part of a robust hostile vehicle mitigation (HVM) strategy.

Its unique shape, with its large footprint, has been specifically designed to block vehicles. Each 430kg, 1m x 1m x 1m solid rubber unit is connected by steel securing cables, providing the flexibility to protect both entrance areas and site perimeters against hostile vehicle attack. With the units in position, the steel securing cables can be anchored to create a stronger physical barrier.

Manufactured from 100% recycled rubber bonded with polyurethane for strength, its tough construction enables the Impakt Defender to be installed almost anywhere, removed and used again and again.





Performance Rating

The Impakt Defender has been successfully impact tested to IWA 14-1 specification, stopping a 7.2 tonne N2A lorry travelling at 48kph (30mph).

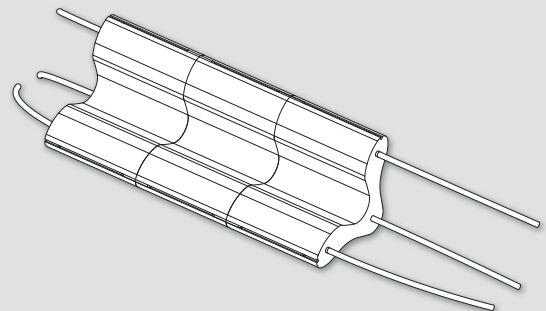
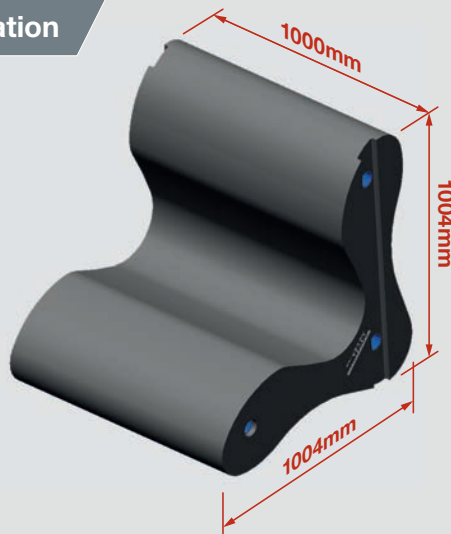
Secured by Design



Official Police Security Initiative

Technical Information

Manufactured from 100% recycled rubber and polyurethane, the Impakt Defender is supplied complete with steel securing cables and fixings.



Size	1000 x 1004 x 1004 mm
Weight	430kg
Connectivity	20mm Ø Steel cables

For more information, please call the Rosehill Security sales team on +44 (0)1422 839 456, or email info@rosehillsecurity.com
Spring Bank Mills, Watson Mill Lane, Sowerby Bridge, West Yorkshire, HX6 3BW, United Kingdom

All information is correct at time of going to press. © Rosehill Polymers Limited - Issue 3 - NOV2017.

